

3.30 Переходной ниппель

Информация о продукции

Характеристики

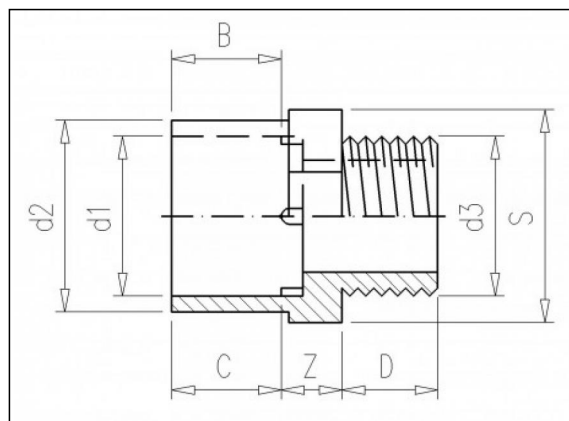
- BSP наружная резьба

Материал

- НПВХ (PVC-U) = непластифицированный поливинилхлорид

Технология

- Изготавливается литьем под давлением



Позиции в наличии

ART.CODE	d1	d2	d3	Z	B	C	S	D	PN	Verp
3.30.010	-	16	1/4" (M)	8	14	-	27	12	16	100
3.30.011	-	16	3/8" (M)	8	14	-	27	12	16	100
3.30.012	-	16	1/2" (M)	8	14	-	27	16	16	100
3.30.015	-	20	3/8" (M)	8	16	-	32	13	16	100
3.30.016	-	20	1/2" (M)	8	16	-	32	16	16	100

Van de Lande BV

Lisenveld 1 \ 4941 VK Raamsdonksveer \ The Netherlands \ t +31 (0)162 51 60 00 \ f +31 (0)162 52 14 17 \ sales@vandelande.com
 Traderegister Tilburg: 18070844 \ IBAN: NL13 RABO 0143 0035 26 \ BIC: RABONL2U \ VAT: NL 8123.91.755.B01

ART.CODE	d1	d2	d3	Z	B	C	S	D	PN	Verp
3.30.017	-	20	3/4" (M)	8	16	-	32	17	16	100
3.30.020	-	25	1/2" (M)	9	19	-	36	16	16	100
3.30.025	-	25	3/4" (M)	9	19	-	36	17	16	100
3.30.030	-	25	1" (M)	9	19	-	36	21	16	100
3.30.040	25	32	3/4" (M)	10	22	19	46	17	16	100
3.30.045	25	32	1"(M)	10	22	19	46	21	16	100
3.30.046	25	32	1 1/4" (M)	10	22	19	46	23	16	100
3.30.050	-	40	1" (M)	11	26	-	55	21	16	100
3.30.055	-	40	1 1/4" (M)	11	26	-	55	23	16	100
3.30.060	-	50	1 1/4" (M)	12	31	-	65	23	16	100
3.30.065	-	50	1 1/2" (M)	12	31	-	65	23	16	100
3.30.070	-	63	1 1/4" (M)	14	38	-	80	26	16	100
3.30.075	-	63	1 1/2" (M)	13	38	-	80	23	16	100
3.30.080	-	63	2" (M)	13	38	-	80	27	16	100

Van de Lande BV

Lissenveld 1 \ 4941 VK Raamsdonksveer \ The Netherlands \ t +31 (0)162 51 60 00 \ f +31 (0)162 52 14 17 \ sales@vandelande.com
 Traderegister Tilburg: 18070844 \ IBAN: NL13 RABO 0143 0035 26 \ BIC: RABONL2U \ VAT: NL 8123.91.755.B01

www.vandelande.com

All our transactions are subject to the Van de Lande General Terms of Sale. A copy of these can be provided immediately upon your request.