

# 5.16 Фитинг через стекло

## Информация о продукции

### Характеристики

- BSP наружная резьба
- Прямая BSP наружная резьба

### Материал

- НПВХ (PVC-U) = непластифицированный поливинилхлорид,

### Прокладки

- ЭПДМ



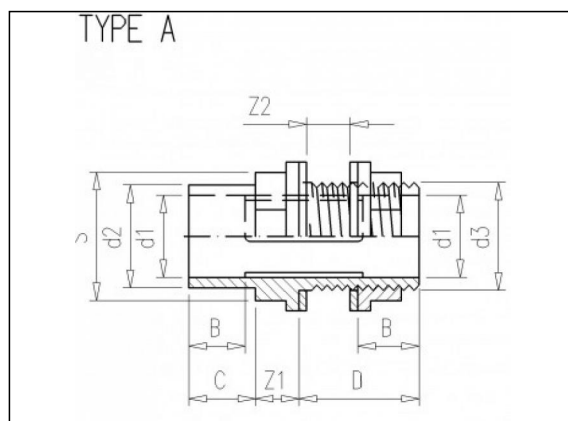
## Детали



8.11 ПВХ  
гайка



8.08 ПП  
скользящее  
кольцо



## Позиции в наличии

ART.CODE	d1	d2	d3	Z1	Z2	B	C	D	S	Type	Verp
5.16.020	20	25	3/4" (M)	13	0-23	16	19	42	32	A	50
5.16.021	20	3/4" (M)	3/4" (M)	13	0-23	16	17	42	32	B	50
5.16.025	25	32	1" (M)	15	0-23	19	22	45	40	A	50
5.16.026	25	1" (M)	1" (M)	15	0-23	19	21	45	40	B	50
5.16.034	32	40	1 1/4" (M)	17	0-26	22	26	49	50	A	50

### Van de Lande BV

Lispenveld 1 \ 4941 VK Raamsdonksveer \ The Netherlands \ t +31 (0)162 51 60 00 \ f +31 (0)162 52 14 17 \ sales@vandelande.com  
 Traderegister Tilburg: 18070844 \ IBAN: NL13 RABO 0143 0035 26 \ BIC: RABONL2U \ VAT: NL 8123.91.755.B01

ART.CODE	d1	d2	d3	Z1	Z2	B	C	D	S	Type	Verp
5.16.035	32	1 1/4" (M)	1 1/4" (M)	17	0-26	22	23	49	50	B	50
5.16.041	40	50	1 3/4" (M)	19	0-21	26	31	48	60	A	50
5.16.042	40	1 1/2" (M)	1 3/4" (M)	19	0-21	26	23	48	60	B	50
5.16.048	50	63	2" (M)	21	0-21	31	38	52	69	A	45
5.16.049	50	2" (M)	2" (M)	21	0-21	31	27	52	69	B	45
5.16.050	50	63	2 1/4" (M)	21	0-21	31	38	52	76	A	45
5.16.051	50	2" (M)	2 1/4" (M)	21	0-21	31	27	52	76	B	45
5.16.065	63	75	2 1/2" (M)	23	0-23	38	44	53	85	A	24
5.16.066	63	2 1/2" (M)	2 1/2" (M)	23	0-23	38	31	53	85	B	24
5.16.075	75	90	3" (M)	26	0-20	44	51	56	100	A	21
5.16.076	75	3" (M)	3" (M)	26	0-20	44	34	56	100	B	21
5.16.090	90	110	M113 (M)	32	0-20	51	61	62	125	A	10
5.16.091	90	4" (M)	M113 (M)	32	0-20	51	40	62	125	B	10
5.16.110	110	125	M133 (M)	36	0-22	61	69	66	147	A	10

**Van de Lande BV**

Lissenveld 1 \ 4941 VK Raamsdonksveer \ The Netherlands \ t +31 (0)162 51 60 00 \ f +31 (0)162 52 14 17 \ sales@vandelande.com  
 Traderegister Tilburg: 18070844 \ IBAN: NL13 RABO 0143 0035 26 \ BIC: RABONL2U \ VAT: NL 8123.91.755.B01

[www.vandelande.com](http://www.vandelande.com)