

6.70 Двустворчатый клапан-бабочка синий

Информация о продукции

Материал

- НПВХ (PVC-U) = непластифицированный поливинилхлорид

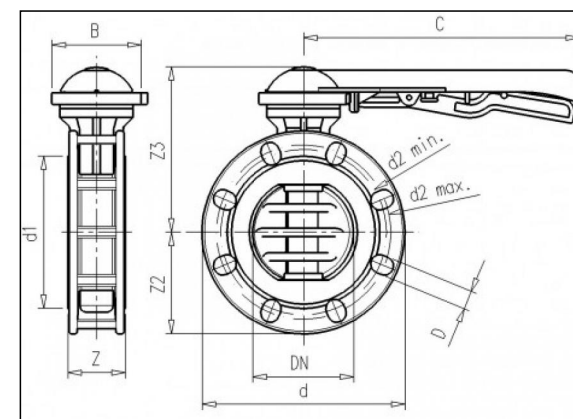
Технология

- Изготавливается литьем под давлением

Детали



6.76
Комплект
для двуство
рчатого клап
ана-бабочки



Van de Lande BV

Lissenveld 1 \ 4941 VK Raamsdonksveer \ The Netherlands \ t +31 (0)162 51 60 00 \ f +31 (0)162 52 14 17 \ sales@vandelande.com

Traderegister Tilburg: 18070844 \ IBAN: NL13 RABO 0143 0035 26 \ BIC: RABONL2U \ VAT: NL 8123.91.755.B01

All our transactions are subject to the Van de Lande General Terms of Sale. A copy of these can be provided immediately upon your request.

Позиции в наличии

| ART.CODE | Dia | DN | d | d1 | d2 | Z | Z2 | Z3 | B | C | NxD | PN | Verp |
|----------|-----|-----|-----|-----|---------|----|-------|-----|-----|-----|------|----|------|
| 6.70.076 | 75 | 65 | 185 | 106 | 128/144 | 53 | 92.5 | 174 | 108 | 270 | 4x19 | 10 | 1 |
| 6.70.091 | 90 | 80 | 200 | 125 | 145/160 | 56 | 100 | 181 | 108 | 270 | 8x19 | 10 | 4 |
| 6.70.111 | 110 | 100 | 220 | 150 | 165/190 | 63 | 110 | 192 | 108 | 270 | 8x19 | 10 | 3 |
| 6.70.141 | 140 | 125 | 250 | 188 | 204/125 | 71 | 125 | 203 | 108 | 340 | 8x23 | 10 | 2 |
| 6.70.161 | 160 | 150 | 285 | 214 | 230/242 | 78 | 142.5 | 221 | 108 | 340 | 8x23 | 6 | 1 |
| 6.70.226 | 225 | 200 | 340 | 266 | 280/298 | 81 | 170 | 289 | 150 | 420 | 8x23 | 6 | 1 |

Van de Lande BV

Lissenveld 1 \ 4941 VK Raamsdonksveer \ The Netherlands \ t +31 (0)162 51 60 00 \ f +31 (0)162 52 14 17 \ sales@vandelande.com

Traderegister Tilburg: 18070844 \ IBAN: NL13 RABO 0143 0035 26 \ BIC: RABONL2U \ VAT: NL 8123.91.755.B01

All our transactions are subject to the Van de Lande General Terms of Sale. A copy of these can be provided immediately upon your request.