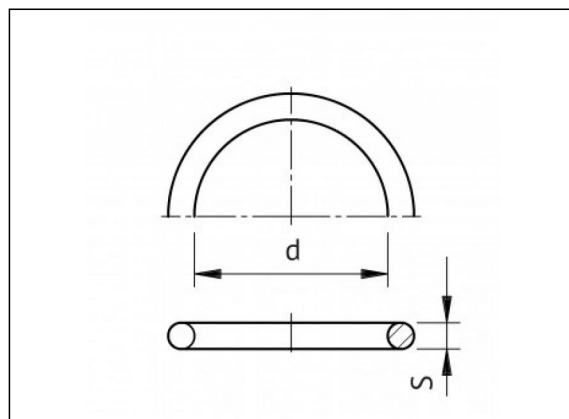
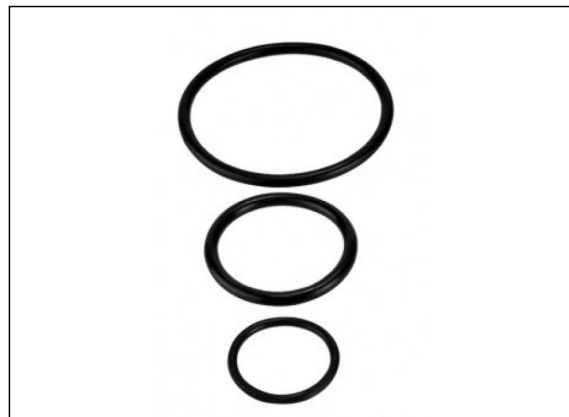


8.06 Кольцевое уплотнение для резьбового сочленения

Информация о продукции

Прокладки
- ЭПДМ



Позиции в наличии

ART.CODE	Dia	d	S	Verp
8.06.016	16	15.55	2.62	1000
8.06.020	20	20.22	3.53	1000
8.06.025	25	28.17	3.53	500
8.06.032	32	32.92	3.53	500
8.06.040	40	40.64	5.33	300
8.06.050	50	46.99	5.33	200
8.06.063	63	59.69	5.33	100

Van de Lande BV

Lissenveld 1 \ 4941 VK Raamsdonksveer \ The Netherlands \ t +31 (0)162 51 60 00 \ f +31 (0)162 52 14 17 \ sales@vandelande.com
Traderegister Tilburg: 18070844 \ IBAN: NL13 RABO 0143 0035 26 \ BIC: RABONL2U \ VAT: NL 8123.91.755.B01

www.vandelande.com

ART.CODE	Dia	d	S	Verp
8.06.075	75	78.74	5.33	100
8.06.090	90	97.79	5.33	100
8.06.110	110	117.5	5.33	50

Van de Lande BV

Lissenveld 1 \ 4941 VK Raamsdonksveer \ The Netherlands \ t +31 (0)162 51 60 00 \ f +31 (0)162 52 14 17 \ sales@vandelande.com
Traderegister Tilburg: 18070844 \ IBAN: NL13 RABO 0143 0035 26 \ BIC: RABONL2U \ VAT: NL 8123.91.755.B01

All our transactions are subject to the Van de Lande General Terms of Sale. A copy of these can be provided immediately upon your request.