

4.30 Нейлоновые поливные насадки

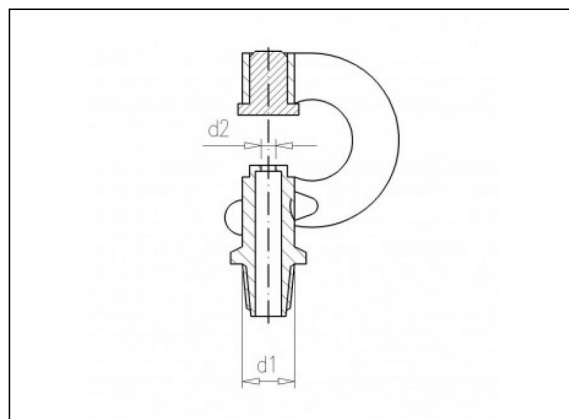
Информация о продукции

Характеристики

- BSP наружная резьба

Технология

- Изготавливается литьем под давлением



Позиции в наличии

ART.CODE	Desc ription	d1	d2	Verp
4.30.111	Brown/bruin/braun/brun/marrón	M11	1.75	1000 (4x250)

Van de Lande BV

Lissenveld 1 \ 4941 VK Raamsdonksveer \ The Netherlands \ t +31 (0)162 51 60 00 \ f +31 (0)162 52 14 17 \ sales@vandelande.com
Traderegister Tilburg: 18070844 \ IBAN: NL13 RABO 0143 0035 26 \ BIC: RABONL2U \ VAT: NL 8123.91.755.B01

ART.CODE	Desc riptio	d1	d2	Verp
4.30.112	green/ groen/grün/ vert/ verde	M11	2	1000 (4x25 0)
4.30.113	grey/ grijs/ grau/ gris/g ris	M11	2.25	1000 (4x25 0)
4.30.114	blue/ blauw/ blau/ bleu/ azul	M11	2.5	1000 (4x25 0)
4.30.115	red/ rood/ rot/ rojo	M11	2.75	1000 (4x25 0)
4.30.116	orange/ oranje/ orange/ naranja	M11	3	1000 (4x25 0)
4.30.117	black/ zwart/ schwarz/ noir/n egro	M11	3.25	1000 (4x25 0)
4.30.381	brown/ bruin/ brun/ brun/m arrón	WW3 /8"	1.75	1000 (4x25 0)
4.30.382	green/ groen/grün/ vert/ verde	WW3 /8"	2	1000 (4x25 0)

Van de Lande BV

Lissenveld 1 \ 4941 VK Raamsdonksveer \ The Netherlands \ t +31 (0)162 51 60 00 \ f +31 (0)162 52 14 17 \ sales@vandelande.com
 Traderegister Tilburg: 18070844 \ IBAN: NL13 RABO 0143 0035 26 \ BIC: RABONL2U \ VAT: NL 8123.91.755.B01

www.vandelande.com

ART.CODE	Desc ription	d1	d2	Verp
4.30.383	grey/ grijs/ grau/ gris/g ris	WW3 /8"	2.25	1000 (4x25 0)
4.30.384	blue/ blau w/bla u/ble u/azu l	WW3 /8"	2.5	1000 (4x25 0)
4.30.385	red/r ood/r ot/rou ge/roj o	WW3 /8"	2.75	1000 (4x25 0)
4.30.386	orang e/ora nje/or ange/ orang e/nar anja	WW3 /8"	3	1000 (4x25 0)
4.30.387	black /zwar t/sch warz/ noir/n egro	WW3 /8"	3.25	1000 (4x25 0)

Van de Lande BV

Lissenveld 1 \ 4941 VK Raamsdonksveer \ The Netherlands \ t +31 (0)162 51 60 00 \ f +31 (0)162 52 14 17 \ sales@vandelande.com
Traderegister Tilburg: 18070844 \ IBAN: NL13 RABO 0143 0035 26 \ BIC: RABONL2U \ VAT: NL 8123.91.755.B01

www.vandelande.com

All our transactions are subject to the Van de Lande General Terms of Sale. A copy of these can be provided immediately upon your request.