

## 4.35 Штифт форсунки

### Информация о продукции

#### Характеристики

- INOX

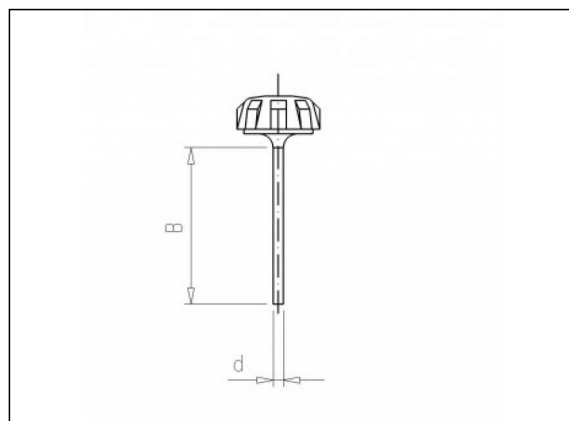
#### Технология

- Изготавливается литьем под давлением

### Детали



4.35  
Штифтовая  
форсунка



### Позиции в наличии

| ART.CODE | d   | B  | Radi<br>us | Loos<br>e<br>ring | Verp<br>en |
|----------|-----|----|------------|-------------------|------------|
| 4.35.201 | 1.5 | 23 | 360°       | br<br>ow<br>n     | 1000       |
| 4.35.202 | 1.5 | 23 | 360°       | green             | 1000       |
| 4.35.203 | 1.5 | 23 | 360°       | grey              | 1000       |
| 4.35.204 | 1.5 | 23 | 360°       | blue              | 1000       |
| 4.35.205 | 1.5 | 23 | 360°       | red               | 1000       |
| 4.35.206 | 1.5 | 23 | 360°       | orang<br>e        | 1000       |
| 4.35.207 | 1.5 | 23 | 360°       | black             | 1000       |
| 4.35.208 | 1.5 | 23 | 360°       | violet            | 1000       |

#### Van de Lande BV

Lissenveld 1 \ 4941 VK Raamsdonksveer \ The Netherlands \ t +31 (0)162 51 60 00 \ f +31 (0)162 52 14 17 \ sales@vandelande.com  
 Traderegister Tilburg: 18070844 \ IBAN: NL13 RABO 0143 0035 26 \ BIC: RABONL2U \ VAT: NL 8123.91.755.B01

| ART.CODE | d   | B  | Radi<br>us | Loos<br>e    | Verp |
|----------|-----|----|------------|--------------|------|
| 4.35.210 | 1.5 | 23 | 180°       | ring<br>back | 500  |

**Van de Lande BV**

Lissenveld 1 \ 4941 VK Raamsdonksveer \ The Netherlands \ t +31 (0)162 51 60 00 \ f +31 (0)162 52 14 17 \ sales@vandelande.com  
Traderegister Tilburg: 18070844 \ IBAN: NL13 RABO 0143 0035 26 \ BIC: RABONL2U \ VAT: NL 8123.91.755.B01

All our transactions are subject to the Van de Lande General Terms of Sale. A copy of these can be provided immediately upon your request.