

4.35 Штифтовая форсунка

Информация о продукции

Характеристики

- BSP наружная резьба
- INOX

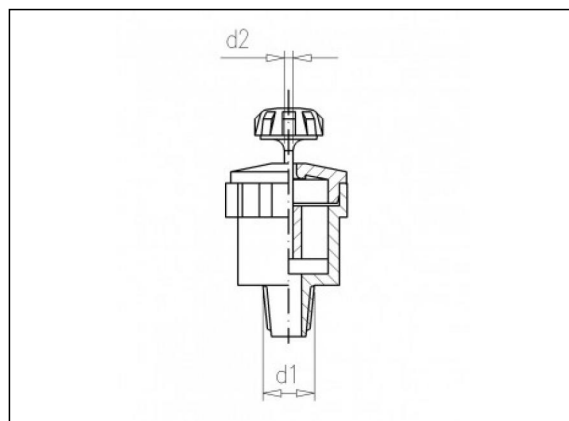
Технология

- Изготавливается литьем под давлением

Детали



4.35 Штифт форсунки



Позиции в наличии

ART.CODE	Desc riptio	d1	d2	Loos e	Verp e
4.35.111	blow n/bruin/brun/brun/marrón	M11	2.55	blow n	1500 (15x100)
4.35.112	green /groen/grün/verde	M11	2.65	green	1500 (15x100)

Van de Lande BV

Lissenveld 1 \ 4941 VK Raamsdonksveer \ The Netherlands \ t +31 (0)162 51 60 00 \ f +31 (0)162 52 14 17 \ sales@vandelande.com
 Traderegister Tilburg: 18070844 \ IBAN: NL13 RABO 0143 0035 26 \ BIC: RABONL2U \ VAT: NL 8123.91.755.B01

ART.CODE	Desc riptio	d1	d2	Loos e	Verp
4.35.113	grey/ grijs/ grau/ gris/g ris	M11	2.75	grey	1500 (15x1 00)
4.35.114	blue/ blau w/bla u/ble u/azu l	M11	2.85	blue	1500 (15x1 00)
4.35.115	red/r ood/r ot/rou ge/roj o	M11	2.95	red	1500 (15x1 00)
4.35.116	orang e/ora nje/or ange/ orang e/nar anja	M11	3.05	orang e	1500 (15x1 00)
4.35.117	black /zwar t/sch warz/ noir/n egro	M11	3.25	black	1500 (15x1 00)
4.35.118	violet /paar s/viol ett/vi olet/v ioleta	M11	3.45	violet	1500 (15x1 00)
4.35.381	brow n/brui n/bra un/br un/m arrón	WW3 /8"	2.55	brow n	1500 (15x1 00)
4.35.382	green /groe n/grü n/vert /verd e	WW3 /8"	2.65	green	1500 (15x1 00)

Van de Lande BV

Lissenveld 1 \ 4941 VK Raamsdonksveer \ The Netherlands \ t +31 (0)162 51 60 00 \ f +31 (0)162 52 14 17 \ sales@vandelande.com
 Traderegister Tilburg: 18070844 \ IBAN: NL13 RABO 0143 0035 26 \ BIC: RABONL2U \ VAT: NL 8123.91.755.B01

ART.CODE	Desc riptio	d1	d2	Loos e	Verp e
4.35.383	grey/ grijs/ grau/ gris/g ris	WW3 /8"	2.75	grey	1500 (15x1 00)
4.35.384	blue/ blau w/bla u/ble u/azu l	WW3 /8"	2.85	blue	1500 (15x1 00)
4.35.385	red/r ood/r ot/rou ge/roj o	WW3 /8"	2.95	red	1500 (15x1 00)
4.35.386	orang e/ora nje/or ange/ orang e/nar anja	WW3 /8"	3.05	orang e	1500 (15x1 00)
4.35.387	black /zwar t/sch warz/ noir/n egro	WW3 /8"	3.25	black	1500 (15x1 00)
4.35.388	violet /paar s/viol ett/vi olet/v ioleta	WW3 /8"	3.45	violet	1500 (15x1 00)

Van de Lande BV

Lissenveld 1 \ 4941 VK Raamsdonksveer \ The Netherlands \ t +31 (0)162 51 60 00 \ f +31 (0)162 52 14 17 \ sales@vandelande.com
 Traderegister Tilburg: 18070844 \ IBAN: NL13 RABO 0143 0035 26 \ BIC: RABONL2U \ VAT: NL 8123.91.755.B01

www.vandelande.com