

7.22 ПЭ колено

Информация о продукции

Характеристики

- BSP наружная резьба

Материал

- ПП (PP) = полипропилен

Прокладки

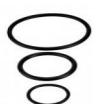
- ЭПДМ

Технология

- Изготавливается литьем под давлением



Детали



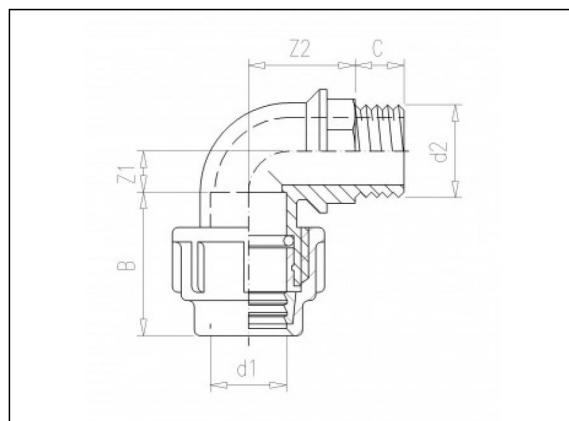
8.06
Кольцевое
уплотнение



7.42 ПЭ соединительная
гайка



7.44
Стопорное
кольцо



Позиции в наличии

| ART.CODE | d1 | d2 | Z1 | Z2 | B | C | PN | Verp |
|-----------|----|-------------|----|----|----|----|----|------|
| 7.22.016* | 16 | 3/8" (M) | 10 | 37 | 42 | 11 | 16 | 150 |
| 7.22.017* | 16 | 1/2" (M) | 10 | 32 | 42 | 17 | 16 | 150 |
| 7.22.020* | 20 | 1/2" (M) | 11 | 34 | 47 | 17 | 16 | 150 |
| 7.22.021* | 20 | 3/4" (M) | 11 | 33 | 47 | 19 | 16 | 150 |
| 7.22.024* | 25 | 1/2" (M) | 14 | 37 | 51 | 16 | 16 | 100 |

Van de Lande BV

Lissenveld 1 \ 4941 VK Raamsdonksveer \ The Netherlands \ t +31 (0)162 51 60 00 \ f +31 (0)162 52 14 17 \ sales@vandelande.com
 Traderegister Tilburg: 18070844 \ IBAN: NL13 RABO 0143 0035 26 \ BIC: RABONL2U \ VAT: NL 8123.91.755.B01

| ART.CODE | d1 | d2 | Z1 | Z2 | B | C | PN | Verp |
|-----------|----|---------------|----|----|-----|----|----|------|
| 7.22.025* | 25 | 3/4" (M) | 14 | 37 | 51 | 18 | 16 | 100 |
| 7.22.026* | 25 | 1" (M) | 14 | 37 | 51 | 21 | 16 | 100 |
| 7.22.032* | 32 | 1" (M) | 18 | 42 | 57 | 21 | 16 | 50 |
| 7.22.033* | 32 | 1 1/4" (M) | 18 | 42 | 57 | 23 | 16 | 50 |
| 7.22.040* | 40 | 1 1/4" (M) | 21 | 47 | 62 | 23 | 16 | 50 |
| 7.22.041* | 40 | 1 1/2" (M) | 21 | 47 | 62 | 23 | 16 | 50 |
| 7.22.050 | 50 | 1 1/2" (M) | 29 | 59 | 92 | 25 | 16 | 18 |
| 7.22.051 | 50 | 2" (M) | 35 | 59 | 92 | 27 | 16 | 18 |
| 7.22.063 | 63 | 2" (M) | 46 | 76 | 105 | 30 | 16 | 10 |
| 7.22.074 | 75 | 2" (M) | 38 | 77 | 123 | 26 | 10 | 6 |
| 7.22.075 | 75 | 2 1/2" (M) | 38 | 77 | 123 | 33 | 10 | 6 |
| 7.22.076 | 75 | 3" (M) | 38 | 77 | 123 | 32 | 10 | 6 |

Van de Lande BV

Lissenveld 1 \ 4941 VK Raamsdonksveer \ The Netherlands \ t +31 (0)162 51 60 00 \ f +31 (0)162 52 14 17 \ sales@vandelande.com
 Traderegister Tilburg: 18070844 \ IBAN: NL13 RABO 0143 0035 26 \ BIC: RABONL2U \ VAT: NL 8123.91.755.B01

www.vandelande.com

All our transactions are subject to the Van de Lande General Terms of Sale. A copy of these can be provided immediately upon your request.