

5105 Колено 90° длинное SDR11

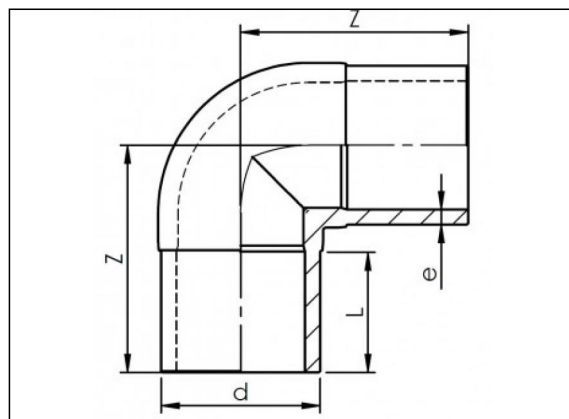
Информация о продукции

Материал

- PE100

Технология

- Изготавливается литьем под давлением



Позиции в наличии

ART.CODE	d	L	Z	e	Verp
5105102000	20	46	66	2	100
5105102500	25	46	67	2.3	200
5105103200	32	49	77	3	100
5105104000	40	55	87	3.7	75
5105105000	50	60	99	4.6	70
5105106300	63	65	111	5.8	25
5105107500	75	72	126	6.8	30

Van de Lande BV

Lissenveld 1 \ 4941 VK Raamsdonksveer \ The Netherlands \ t +31 (0)162 51 60 00 \ f +31 (0)162 52 14 17 \ sales@vandelande.com
Traderegister Tilburg: 18070844 \ IBAN: NL13 RABO 0143 0035 26 \ BIC: RABONL2U \ VAT: NL 8123.91.755.B01

All our transactions are subject to the Van de Lande General Terms of Sale. A copy of these can be provided immediately upon your request.

ART.CODE	d	L	Z	e	Verp
5105109000	90	82	144	8.2	16
5105111000	110	86	162	10	10
5105112500	125	90	177	11.4	4
5105114000	140	95	192	12.7	3
5105116000	160	103	212	14.6	2
5105118000	180	109	233	16.4	2
5105120000	200	116	254	18.2	1
5105122500	225	124	275	20.5	1

Van de Lande BV

Lissenveld 1 \ 4941 VK Raamsdonksveer \ The Netherlands \ t +31 (0)162 51 60 00 \ f +31 (0)162 52 14 17 \ sales@vandelande.com
Traderegister Tilburg: 18070844 \ IBAN: NL13 RABO 0143 0035 26 \ BIC: RABONL2U \ VAT: NL 8123.91.755.B01

All our transactions are subject to the Van de Lande General Terms of Sale. A copy of these can be provided immediately upon your request.