

# 5105 Колено 90° длинное SDR17

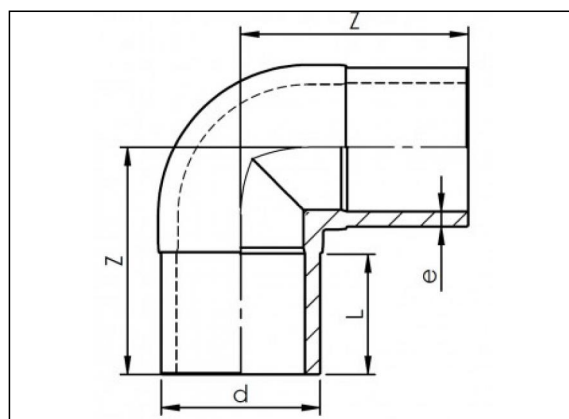
## Информация о продукции

**Материал**

- PE100

**Технология**

- Изготавливается литьем под давлением



## Позиции в наличии

ART.CODE	d	L	Z	e	Verp
5105109001	90	81	145	5.4	16
5105111001	110	86	163	6.6	10
5105112501	125	90	177	7.4	6
5105114001	140	95	192	8.3	3
5105116001	160	102	212	9.5	2
5105118001	180	109	232	10.7	2
5105120001	200	115	253	11.9	1

**Van de Lande BV**

Lissenveld 1 \ 4941 VK Raamsdonksveer \ The Netherlands \ t +31 (0)162 51 60 00 \ f +31 (0)162 52 14 17 \ sales@vandelande.com  
Traderegister Tilburg: 18070844 \ IBAN: NL13 RABO 0143 0035 26 \ BIC: RABONL2U \ VAT: NL 8123.91.755.B01

All our transactions are subject to the Van de Lande General Terms of Sale. A copy of these can be provided immediately upon your request.

<b>ART.CODE</b>	<b>d</b>	<b>L</b>	<b>Z</b>	<b>e</b>	<b>Verp</b>
5105122501	225	124	275	13.4	1

**Van de Lande BV**

Lissenveld 1 \ 4941 VK Raamsdonksveer \ The Netherlands \ t +31 (0)162 51 60 00 \ f +31 (0)162 52 14 17 \ sales@vandelande.com  
Traderegister Tilburg: 18070844 \ IBAN: NL13 RABO 0143 0035 26 \ BIC: RABONL2U \ VAT:NL 8123.91.755.B01

All our transactions are subject to the Van de Lande General Terms of Sale. A copy of these can be provided immediately upon your request.