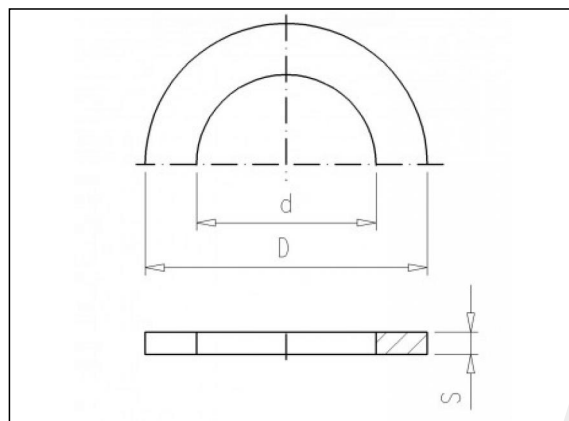


# 5880 Резиновая прокладка для фланцевого переходника

## Информация о продукции

Прокладки  
- ЭПДМ



## Позиции в наличии

ART.CODE	Size	DN	D	d	S	SDR	Verp
5880402000	20	15	51	16	3	SDR 11	100
5880402500	25	20	61	22	3	SDR 11	100
5880403200	32	25	71	28	3	SDR 11	100

### Van de Lande BV

Lisenveld 1 \ 4941 VK Raamsdonksveer \ The Netherlands \ t +31 (0)162 51 60 00 \ f +31 (0)162 52 14 17 \ sales@vandelande.com  
Traderegister Tilburg: 18070844 \ IBAN: NL13 RABO 0143 0035 26 \ BIC: RABONL2U \ VAT: NL 8123.91.755.B01

ART.CODE	Size	DN	D	d	S	SDR	Verp
5880404000	40	32	82	34	3	SDR 11	100
5880405000	50	40	92	42	3	SDR 11	100
5880406300	63	50	107	53	3	SDR 11	50
5880406301	63	50	107	58	3	SDR 17	50
5880407500	75	65	127	63	3	SDR 11	50
5880407501	75	65	127	69	3	SDR 17	50
5880409000	90	80	142	76	3	SDR 11	50
5880409001	90	80	142	84	3	SDR 17	50
5880411000	110	100	162	93	3	SDR 11	50
5880411001	110	100	162	100	3	SDR 17	50
5880412500	125	125	162	105	3	SDR 11	10
5880412501	125	125	162	114	3	SDR 17	10
5880414000	140	125	192	117	3	SDR 11	10
5880414001	140	125	192	127	3	SDR 17	10
5880416000	160	150	218	135	3	SDR 11	10
5880416001	160	150	218	146	3	SDR 17	10
5880418000	180	175	218	151	3	SDR 11	10
5880418001	180	175	218	164	3	SDR 17	10
5880420000	200	200	273	168	3	SDR 11	10
5880420001	200	200	273	181	3	SDR 17	10

**Van de Lande BV**

Lissenveld 1 \ 4941 VK Raamsdonksveer \ The Netherlands \ t +31 (0)162 51 60 00 \ f +31 (0)162 52 14 17 \ sales@vandelande.com  
 Traderegister Tilburg: 18070844 \ IBAN: NL13 RABO 0143 0035 26 \ BIC: RABONL2U \ VAT: NL 8123.91.755.B01

[www.vandelande.com](http://www.vandelande.com)

All our transactions are subject to the Van de Lande General Terms of Sale. A copy of these can be provided immediately upon your request.

ART.CODE	Size	DN	D	d	S	SDR	Verp
5880422500	225	200	273	188	3	SDR 11	10
5880422501	225	200	273	203	3	SDR 17	10

**Van de Lande BV**

Lissenveld 1 \ 4941 VK Raamsdonksveer \ The Netherlands \ t +31 (0)162 51 60 00 \ f +31 (0)162 52 14 17 \ sales@vandelande.com  
Traderegister Tilburg: 18070844 \ IBAN: NL13 RABO 0143 0035 26 \ BIC: RABONL2U \ VAT: NL 8123.91.755.B01

All our transactions are subject to the Van de Lande General Terms of Sale. A copy of these can be provided immediately upon your request.